

# Tobler Flex Props, Beams, Panels

2025



- Fully galvanised props with maximum load capacity and lowest net weight and patented foot reinforcement
- Main and cross girder freely adjustable for all layouts
- Formwork panels and coating for any application
- Cost-effective girder system for maximum flexibility and durability



# Tobler Flex Ceiling Formwork System

Props, beams, formwork panels.

## Flexible slab formworking with H 20 girder

Tobler Flex provides you with a premium, resistant complete system for forming ceilings. The Tobler system adapts to any layout. On top of that, Tobler Flex is perfectly suitable for creating joints and floor extensions.

### Benefits

- Adapts to any layout
- Very low material requirements owing to optimised distances between girders and props
- Simple system solution for joints and floor extensions
- Maximum flexibility
- Complete solution
- Compatible with third-party systems

1. Formwork panels
2. H20 formwork beams
3. 4-way head H20
4. Prop
5. Tripod



# Tobler Flex

Product range.



## Our products

Props	4–5
4-way head, tripod and trench strut	6
Transport and storage	7
H 20 formwork girders	8–11
Formwork panels	12–15



# Tobler Flex Props

Robust, fast, safe.

## The Tobler Flex prop

Tobler Flex props fulfil load class D or E in accordance with EN 1065.

The galvanised props with forged and robust threaded nut guarantees a very long service life in accordance with EN 10346 and EN 2081.

The quick release thread has a larger pitch a larger pitch than comparable products.

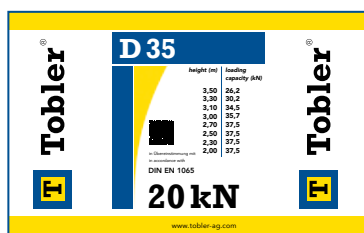
Production is carried out using state-of-the-art production processes such as the rolling process for the thread.

The usual welded connection at the transition from the threaded section to the outer tube is also eliminated.

The patented foot reinforcement with additional protection against deformation ensures an even longer service life.

**TESTED in compliance with EN 1065**

**Labelling with QR code and load capacity table as standard**



height (m)	loading capacity (kN)
3,50	26,2
3,30	30,2
3,10	24,5
2,90	35,7
2,70	27,5
2,50	37,5
2,30	27,5
2,00	37,5

**20 kN**

DIN EN 1065

www.tobler-ag.com

### Punched holes

The high surface quality and the absence of burrs guarantee perfect functionality.

### Height indication

The measuring scale enables quicker adjustment, even when using different height supports.

### External thread

Easy adjustment of the ring thanks to a smooth surface, which is produced using a rolling process without reving any material.

### Uncoupling safety device of the inner pipe

It increases safety during use and transport of the support

### Hand protection system

To prevent hands from being crushed, the supports have a clearance of 10 cm from the inner tube when pushed in.

### Profile bolt

Its shape facilitates insertion and ensures the correct position.

### Wrought iron retaining ring

The shape of the spokes allows easy adjustment in both directions.

### Patented foot reinforcement

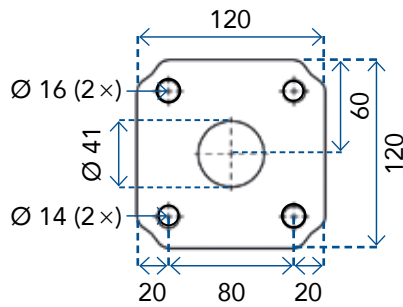
It increases the service life of the support and reinforces the area that is deformed the most.

# Tobler Flex Props

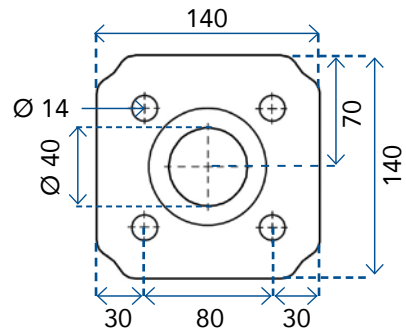
Technical data at a glance.



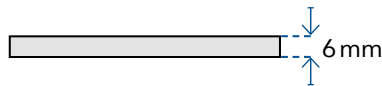
Head plate: D25, D30, D35, D40, D45, E25, E35



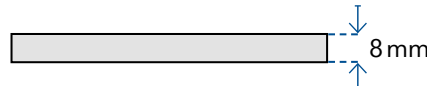
Head plate: D55



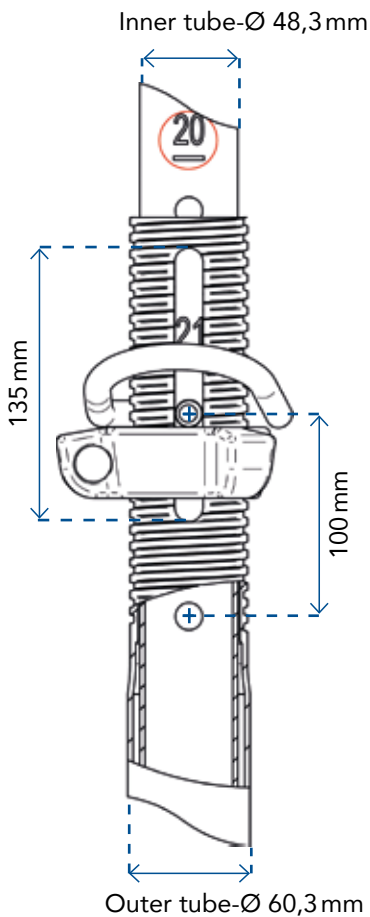
Head and foot plate height: D25



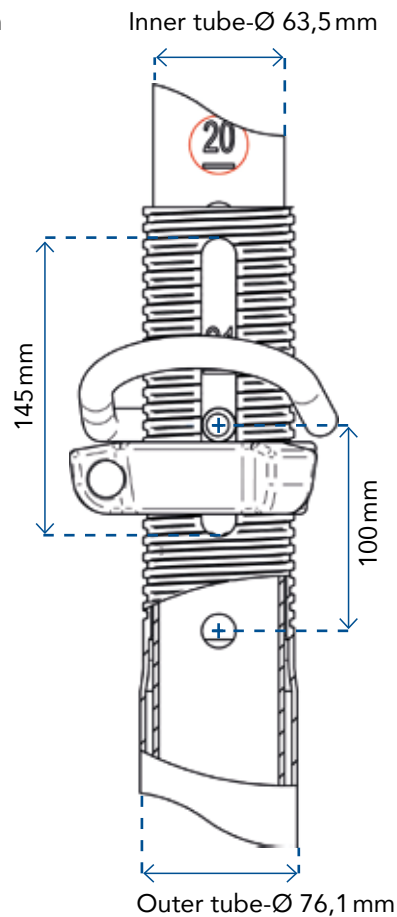
Head and foot plate height: D30, D35, D40, D45, E25, E30, E35, D55



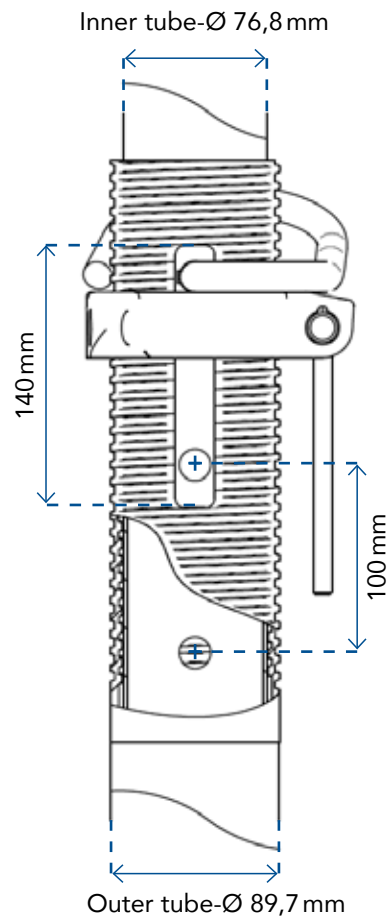
Props-Ø: D25, D30



Props-Ø: D35, D40, D45, E25, E30, E35



Props-Ø: D55



# Tobler Flex Props

Maximum load capacity in class D.

## Props class D

- Hot-dip galvanised steel
- with foot reinforcement

Article no.	Designation	Prop extension length	Weight	Load-bearing capacity
84-F-220250*	D 25	150–250 cm	11.80 kg	20 kN
84-F-220300	D 30	180–300 cm	15.25 kg	20 kN
84-F-220350	D 35	200–350 cm	19.80 kg	20 kN
84-F-220400	D 40	230–400 cm	22.40 kg	20 kN
84-F-220450	D 45	260–450 cm	27.40 kg	20 kN
84-F-220550*	D 55	300–550 cm	36.60 kg	20 kN

\*without foot reinforcement



84-F-220300

## Permissible load capacity according to DIN EN 1065 class D

Type	D 25		D 30		D 35		D 40		D 45		D 55	
from	1,50 m		1,80 m		2,00 m		2,30 m		2,70 m		3,10 m	
until	2,50 m		3,00 m		3,50 m		4,00 m		4,50 m		5,50 m	
Load (m)	Top (kN)	Bottom (kN)	Top (kN)	Bottom (kN)	Top (kN)	Bottom (kN)	Top (kN)	Bottom (kN)	Top (kN)	Bottom (kN)	Top (kN)	Bottom (kN)
5.50	–	–	–	–	–	–	–	–	–	–	21.50	23.75
5.30	–	–	–	–	–	–	–	–	–	–	23.25	27.25
5.10	–	–	–	–	–	–	–	–	–	–	25.75	30.25
4.50	–	–	–	–	–	–	–	–	20.60	23.00	34.75	37.50
4.40	–	–	–	–	–	–	–	–	21.75	24.25	37.50	37.50
4.20	–	–	–	–	–	–	–	–	24.27	27.52	37.50	37.50
4.00	–	–	–	–	–	–	21.27	25.00	27.00	31.52	37.50	37.50
3.70	–	–	–	–	–	–	25.51	31.25	32.51	38.76	37.50	37.50
3.50	–	–	–	–	26.25	30.52	28.75	36.76	36.27	42.76	37.50	37.50
3.30	–	–	–	–	30.27	36.50	32.27	37.58	40.00	45.27	37.50	37.50
3.10	–	–	–	–	34.51	37.58	34.51	37.58	45.00	46.52	37.50	37.50
3.00	–	–	20.60	24.52	35.75	37.58	35.75	37.58	46.75	47.00	37.50	37.50
2.70	–	–	25.51	33.00	37.57	37.58	37.57	37.58	47.00	47.00	–	–
2.50	20.60	24.85	28.75	37.58	37.57	37.58	37.57	37.58	–	–	–	–
2.30	23.75	29.50	31.51	37.58	37.57	37.58	37.57	37.58	–	–	–	–
2.00	25.51	29.50	37.57	37.58	37.57	37.58	–	–	–	–	–	–
1.80	28.51	29.50	37.57	37.58	–	–	–	–	–	–	–	–
1.50	29.50	29.50	–	–	–	–	–	–	–	–	–	–

# Tobler Flex Deckenstützen

Maximum load capacity in class E.



## Props class E

- Hot-dip galvanised steel
- with foot reinforcement

Article no.	Designation	Prop extension length	Weight	Load-bearing capacity
84-F-230250	E 25	150–250 cm	15.40 kg	30 kN
84-F-230300	E 30	180–300 cm	18.00 kg	30 kN
84-F-230350	E 35	200–350 cm	21.60 kg	30 kN



84-F-230350

## Permissible load capacity according to DIN EN 1065 class E

Type	E 25		E 30		E 35	
from	1,50 m		1,80 m		2,00 m	
until	2,50 m		3,00 m		3,50 m	
Load (m)	Top (kN)	Bottom (kN)	Top (kN)	Bottom (kN)	Top (kN)	Bottom (kN)
5.50	–	–	–	–	–	–
5.30	–	–	–	–	–	–
5.10	–	–	–	–	–	–
4.50	–	–	–	–	–	–
4.40	–	–	–	–	–	–
4.20	–	–	–	–	–	–
4.00	–	–	–	–	–	–
3.70	–	–	–	–	–	–
3.50	–	–	–	–	30.90	33.25
3.30	–	–	–	–	35.75	39.27
3.10	–	–	–	–	41.27	44.27
3.00	–	–	34.75	37.58	43.51	46.00
2.70	–	–	37.57	37.58	47.00	47.00
2.50	37.57	37.57	37.57	37.58	47.00	47.00
2.30	37.57	37.57	37.57	37.58	47.00	47.00
2.00	37.57	37.57	37.57	37.58	47.00	47.00
1.80	37.57	37.57	37.57	37.58	–	–
1.50	37.57	37.57	–	–	–	–

# Tobler Flex Props

4-way head, tripod, and trench strut.

## 4-way head

- Hot-dip galvanised steel

Article no.	Description	Weight
84-F-210026	with 26 mm tube	2.4 kg
84-F-210038	with 38 mm tube	2.4 kg



84-F-210026

## Tripod

- Hot-dip galvanised steel

Article no.	Weight
84-F210012	8.5 kg



84-F-210012

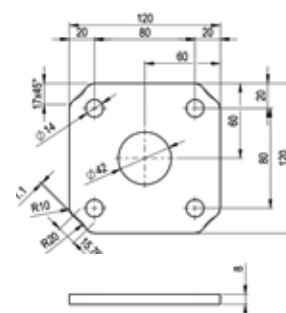
## Trench strut

- Hot-dip galvanised steel

Article no.	Height	Weight	Load-bearing capacity
84-F-045065	45– 65 cm	5.7 kg	39 kN
84-F-060090	60– 90 cm	6.8 kg	39 kN
84-F-080130	80– 130 cm	8.2 kg	39 kN
84-F-100150	100– 150 cm	9.7 kg	39 kN



84-F-060090



# Tobler Flex Props

Transport and storage.



## Storage racks for props

The storage rack features a highly robust design. It is therefore ideal for storing long items.

Article no.	Length	Width	Height	Weight	Load-bearing capacity
84-F-210080	120cm	80cm	70cm	56,6kg	2'000kg



### Benefits

- Made entirely of hot-dip galvanised steel
- For all prop types in classes E, D, and B
- Stackable



84-F-210080

The unique, enclosed storage rack can be adjusted to any length, all with that renowned Tobler quality. Thanks to the integrated anti-fall protection, complete safety is ensured during transportation and handling on the construction site.

Article no.	Length	Width	Weight	Load-bearing capacity
84-F-212080	160–310cm	80cm	93kg	2'000kg

### Benefits

- Extremely safe during transport owing to lateral anti-fall protection
- Can be adjusted to any length
- Tested to EN 1090
- New to the Swiss market



Lengths adjustable from 1.60 – 3.10m



84-F-212080

# Tobler Flex H 20 Girder Beams

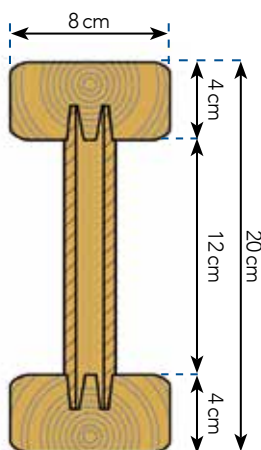
Made for heavy loads.

## Formwork beam PF 20

- without PVC end cap
- Packaging unit: 100 pieces and \* 50 pieces

Article no.	Length	Weight
84-F-523190	1.90 m	8.5 kg
84-F-523245	2.45 m	11.0 kg
84-F-523250	2.50 m	11.2 kg
84-F-523265	2.65 m	11.9 kg
84-F-523290	2.90 m	13.0 kg
84-F-523300	3.00 m	13.5 kg
84-F-523330	3.30 m	14.8 kg
84-F-523360	3.60 m	16.2 kg
84-F-523390	3.95 m	17.5 kg
84-F-523450	4.50 m	20.2 kg
84-F-523490*	4.90 m	22.5 kg
84-F-523590*	5.90 m	26.5 kg

Special lengths up to 11.90 m available on request



### Benefits

- Rounded beam ends
- Easy handling thanks to light weight
- The entire front side is protected against the effects of weather by a special front side glaze
- High dimensional stability and impact resistance
- Low shrinkage
- No risk of injury

### Technical information

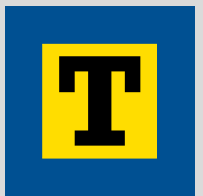
Beam height:	20 cm
Permissible transverse force:	11 kN
Permissible supporting force:	22 kN
Permissible bending moment:	5, .kNm
Specific weight:	4.5 kg/m
Height of flanges:	4 cm



84-F-523245

# Tobler Flex H 20 Girder Beams

Providing high mechanical resistance.

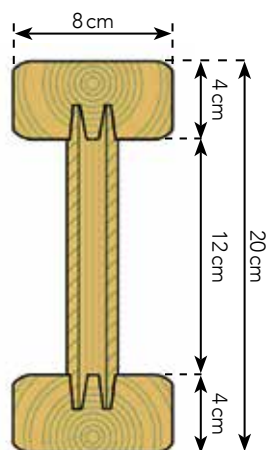


## Formwork beam H 20 Top

- with PVC end cap
- Packaging unit: 100 pieces and \* 50 pieces

Article no.	Length	Weight
84-F-522190	1.90 m	8.5 kg
84-F-522245	2.45 m	11.0 kg
84-F-522250	2.50 m	11.2 kg
84-F-522265	2.65 m	11.9 kg
84-F-522290	2.90 m	13.0 kg
84-F-522300	3.00 m	13.5 kg
84-F-522330	3.30 m	14.8 kg
84-F-522360	3.60 m	16.2 kg
84-F-522390	3.95 m	17.5 kg
84-F-522450	4.50 m	20.2 kg
84-F-522490*	4.90 m	22.5 kg
84-F-522590*	5.90 m	26.5 kg

Special lengths up to 11.90 m available on request



### Benefits

- Rounded ends and protective cap
- Easy handling thanks to light weight
- High dimensional stability and impact resistance
- No gluing and no steel clips required to attach the protective cap
- Good mechanical properties of the protective cap at high and low temperatures
- UV stabiliser against weathering in the protective cap

### Technical information

Beam height:	20 cm
Permissible transverse force:	11 kN
Permissible supporting force:	22 kN
Permissible bending moment:	5.0 kNm
Specific weight:	4.5 kg/m
Height of flanges:	4 cm



84-F-522245

# Tobler Flex H 20 Girder Beams

Providing high mechanical resistance.

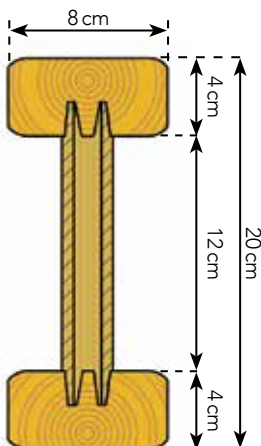
## Above-querage service life

The H 20 wood formwork beam is a 20 cm high solid-web beam with a resistant protective cap system. The sturdy plastic cap prevents premature splintering at the exposed ends. The 3-layer spruce wood construction, guarantees an above-average service life.

- with PVC end cap
- Packaging unit: 100 pieces and \* 50 pieces

Article no.	Length	Weight
84-F-520190	1.90 m	8.4 kg
84-F-520245	2.45 m	10.8 kg
84-F-520265	2.65 m	11.7 kg
84-F-520290	2.90 m	12.8 kg
84-F-520330	3.30 m	14.5 kg
84-F-520360	3.60 m	15.8 kg
84-F-520390	3.90 m	17.2 kg
84-F-520450	4.50 m	19.8 kg
84-F-520490*	4.90 m	21.6 kg
84-F-520590*	5.90 m	26.0 kg

*Special lengths up to 10.00 m available on request*



### Benefits

- Versatile in use for ceilings, bridges, tunnels, and special formworks
- Impact-resistant, bevelled protective cap made of plastic – protects against splintering at the flange ends
- High dimensional stability – 3-layer laminated web in solid wood
- Comb-like coupled web and flanges using finger jointing
- DIBt approval Z-9.1.146



### TESTED

Complies with the applicable health and safety protection requirements within the EU and EEA.

### Technical information

Beam height:	20 cm
Permissible transverse force:	11.0 kN
Permissible supporting force:	22 kN
Permissible bending moment:	5.0 kNm
Specific weight:	4.4 kg/m
Height of flanges:	4 cm



84-F-520245

# Tobler Flex H 20 Girder Beams

Made for heavy loads.



## Dimensoning table

		Table 1				Table 2									
		Cross beam spacing (m)				Yoke beam spacing (m)									
Ceiling thickness (cm)	Total load (kN/m <sup>2</sup> )	0,50	0,63	0,67	0,75	1,00	1,25	1,50	1,75	2,00	2,25	2,50	3,00	3,50	
		Permissible span width for cross beams (m)				Permissible span width for yoke beams in (m) = max. distance between the props									
10	4,40	3,63	3,37	3,29	3,17	2,88	2,67	2,46	2,28	2,13	2,01	1,91	1,67	1,43	
12	4,92	3,43	3,19	3,12	3,00	2,72	2,53	2,33	2,16	2,02	1,90	1,79	1,49	1,28	
14	5,44	3,27	3,04	2,97	2,86	2,60	2,41	2,41	2,05	1,92	1,80	1,62	1,35	1,16	
16	5,96	3,14	2,92	2,85	2,74	2,49	2,31	2,12	1,90	1,83	1,64	1,48	1,23	1,05	
18	6,48	3,03	2,81	2,75	2,65	2,40	2,22	2,03	1,88	1,70	1,51	1,36	1,13	0,97	
20	7,00	2,93	2,72	2,66	2,56	2,32	2,14	1,95	1,80	1,57	1,40	1,20	1,05	0,90	
22	7,52	2,84	2,64	2,58	2,48	2,26	2,06	1,88	1,67	1,46	1,30	1,17	0,98	0,84	
24	8,04	2,76	2,57	2,51	2,42	2,19	2,00	1,82	1,56	1,37	1,22	1,09	0,91	0,78	
26	8,56	2,70	2,50	2,45	2,35	2,14	1,93	1,71	1,47	1,29	1,14	1,03	0,86	0,73	
28	9,08	2,63	2,44	2,39	2,30	2,09	1,88	1,62	1,38	1,21	1,08	0,97	0,81	0,69	
30	9,66	2,57	2,39	2,34	2,25	2,03	1,82	1,52	1,30	1,14	1,01	0,91	0,76	0,65	
35	11,22	2,45	2,27	2,23	2,14	1,89	1,57	1,31	1,12	0,98	0,87	0,78	0,65	0,56	
40	12,78	2,35	2,18	2,13	2,04	1,72	1,38	1,15	0,98	0,86	0,77	0,69	0,57	0,49	
45	14,34	2,26	2,10	2,04	-	1,53	1,23	1,02	0,88	0,77	0,68	0,61	0,51	0,44	
50	15,90	2,18	2,01	1,94	-	1,38	1,11	0,92	0,79	0,69	0,61	0,55	0,46	0,40	

# Tobler Flex Formwork Panels

Longlife Panel – a new benchmark for robustness.

## The plastic-coated formwork panel of the future

Experience the future of concreting with the Tobler Longlife Panel. The innovative formwork panel has all-round polyurethane edge protection.

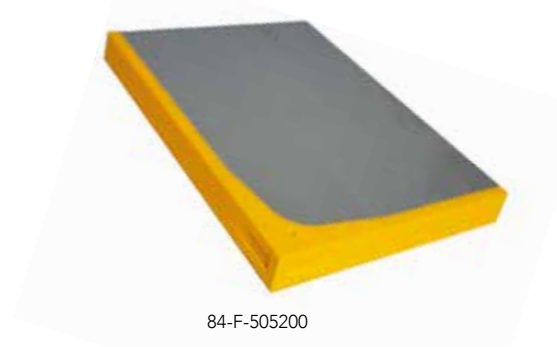
Neither falls nor heavy blows can harm the panel. Longlife Panels can cope with more than 100 usage cycles with a consistent concrete look and are ideal for exposed concrete.

- Packaging unit: 40 pieces

Article no.	Dimensions:	Area	Weight
84-F-505200	200 × 50 cm	1 m <sup>2</sup>	15,5kg

### Technical information

Wood type:	spruce
Coating:	3-layer concrete formwork panel with plastic surface, abrasion-resistant, nailable.
Thickness:	27 mm
Bending strength EN 785	35 m <sup>2</sup>
Specific weight:	15.5 kg/m <sup>2</sup>



Even the strongest blows cannot damage the reinforced edges and corners.



Three-layer wood and top layers in plastics generate the perfect concrete look.



Integrated nail holes avoid splintering damage and prevent absorption of moisture.

# 100 +

Indestructible and uniquely economical: we guarantee at least 100 usage cycles.

# Tobler Flex Formwork Panels

Innovative and sustainable.



## Sustainably cost-efficient

Get ready for sustainability with the new Tobler Longlife Panel.



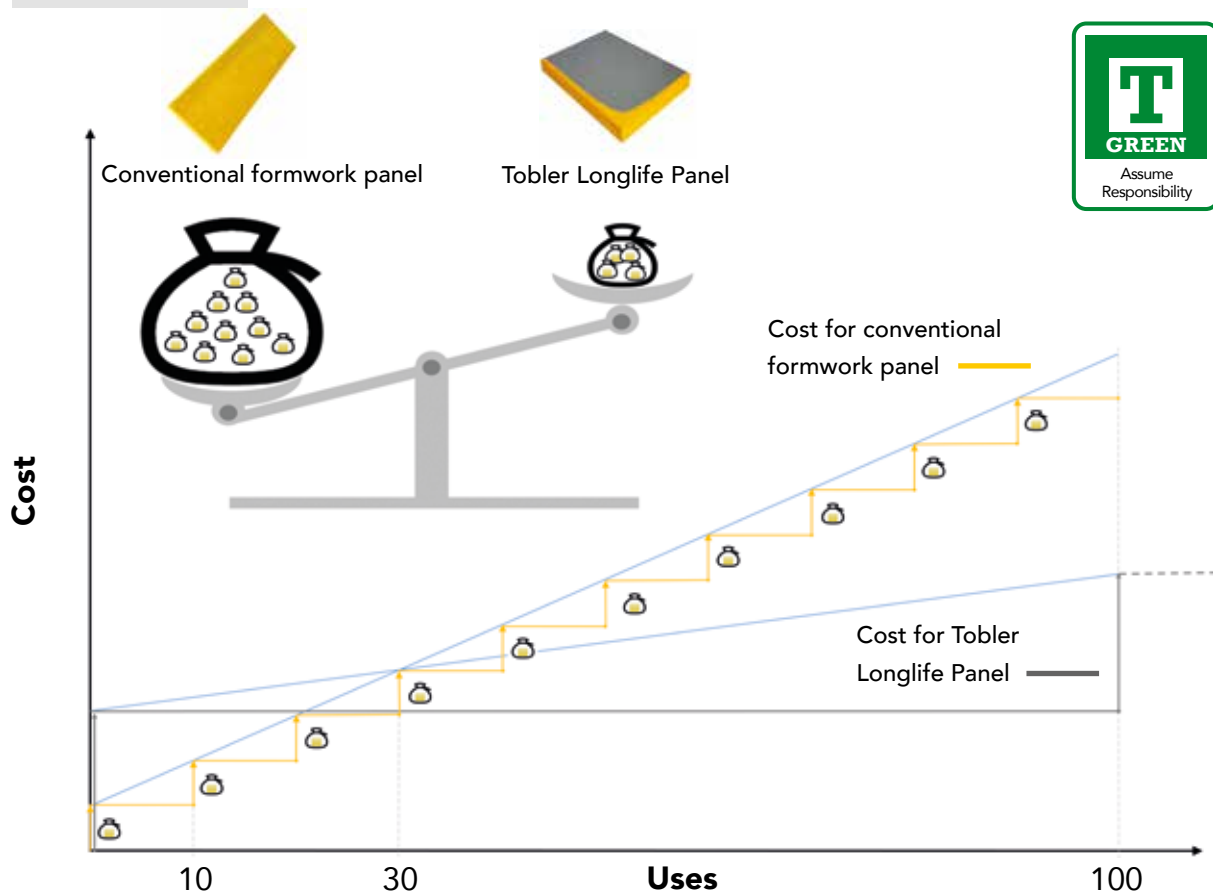
A conventional formwork panel just lasts around 10 uses before it already has to be replaced.

### Benefits

- Plastic-coated with polyurethane edge protection
- Consistent, durable concrete appearance
- For a perfect exposed concrete result
- Integrated nail holes
- Impact-resistant edges and corners
- Economic efficiency
- Long service life

A Tobler Longlife Panel manages 100 or even more usage cycles with a perfect look. It pays off after as little as 30 uses – both for you and our environment.

Example: cost for 100 uses



# Tobler Flex Formwork Panels

Melamine resin coated wood panels.

## Resistant formwork panel

- Pfeifer, mit Umleimer
- Packaging unit: 40 pieces

Article no.	Dimensions	Area	Weight
84-F-511100	100 × 50 cm	0.50 m <sup>2</sup>	6.2 kg
84-F-511150	150 × 50 cm	0.75 m <sup>2</sup>	9.3 kg
84-F-511200	200 × 50 cm	1.00 m <sup>2</sup>	12.5 kg
84-F-511250	250 × 50 cm	1.25 m <sup>2</sup>	15.6 kg
84-F-511300	300 × 50 cm	1.50 m <sup>2</sup>	18.7 kg

Special dimensions up to 502 × 202 cm available on request:

400 × 50 cm	200 × 100 cm	200 × 200 cm
500 × 50 cm	250 × 100 cm	300 × 200 cm
–	300 × 100 cm	400 × 200 cm
–	400 × 100 cm	500 × 200 cm
–	500 × 100 cm	502 × 202 cm

- BU 1
- Packaging unit: 50 pieces.

Article no.	Dimensions	Area	Weight
84-F-514100	100 × 50 cm	0,50 m <sup>2</sup>	6,2 kg
84-F-514150	150 × 50 cm	0,75 m <sup>2</sup>	9,3 kg
84-F-514200	200 × 50 cm	1,00 m <sup>2</sup>	12,5 kg
84-F-514250	250 × 50 cm	1,25 m <sup>2</sup>	15,6 kg
84-F-514300	300 × 50 cm	1,50 m <sup>2</sup>	18,7 kg

Special dimensions up to 300 × 100 cm available on request:

100 × 100 cm
150 × 100 cm
200 × 100 cm
250 × 100 cm
300 × 100 cm



84-F-511100

### Technical information

Wood type:	Spruce, Fir
Coating:	3-layer formwork panel Resistant surface coating made of melamine resin water and weather resistant EN 13353
Thickness:	27 mm
Specific weight:	ca. 12,5 kg/m <sup>2</sup>



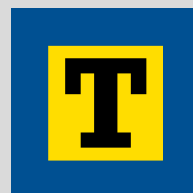
84-F-514100

### Technical information

Wood type:	Swiss Wood Certificate Lignum 30-0165
Coating:	No finger joints in the ceiling layer Four-sided melamine-based edge sealing Continuous centre layer, no edge and edge band construction
Thickness:	27 mm
Specific weight:	ca. 12,5 kg/m <sup>2</sup>

# Tobler Flex Formwork Panels

Melamine resin coated wood panels.



## The conventional coated wooden formwork panel

- T-1
- Packaging unit: 40 pieces

Article no.	Dimensions	Area	Weight
84-F-510100	100 × 50 cm	0,50 m <sup>2</sup>	6,2 kg
84-F-510150	150 × 50 cm	0,75 m <sup>2</sup>	9,3 kg
84-F-510200	200 × 50 cm	1,00 m <sup>2</sup>	12,5 kg
84-F-510250	250 × 50 cm	1,25 m <sup>2</sup>	15,6 kg
84-F-510300	300 × 50 cm	1,50 m <sup>2</sup>	18,7 kg

Special dimensions up to 602 × 202 cm available on request:

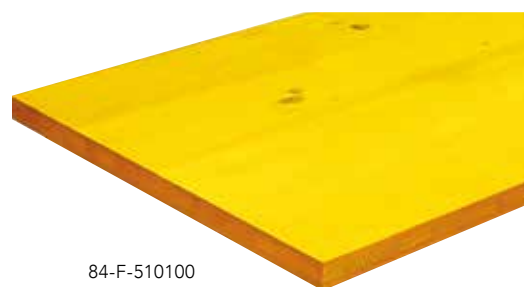
400 × 50 cm	400 × 100 cm	400 × 150 cm	400 × 200 cm
500 × 50 cm	500 × 100 cm	500 × 150 cm	500 × 200 cm
–	–	–	502 × 202 cm
600 × 50 cm	600 × 100 cm	600 × 50 cm	600 × 200 cm
–	–	–	602 × 202 cm

### Benefits

- Highest quality and dimensional stability
- Resistant, fully sanded melamine resin coating
- Water-repellent edge sealing

- T-2
- Packaging unit: 40 pieces

Article no.	Dimensions	Area	Weight
84-F-515100	100 × 50 cm	0,50 m <sup>2</sup>	6,2 kg
84-F-515150	150 × 50 cm	0,75 m <sup>2</sup>	9,3 kg
84-F-515200	200 × 50 cm	1,00 m <sup>2</sup>	12,5 kg
84-F-515250	250 × 50 cm	1,25 m <sup>2</sup>	15,6 kg
84-F-515300	300 × 50 cm	1,50 m <sup>2</sup>	18,7 kg



84-F-510100

### Technical information

Wood type:	Spruce
Coating:	Fully sanded surface Resistant melamine resin coating
Thickness:	27 mm
Specific weight:	ca. 12,5 kg/m <sup>2</sup>











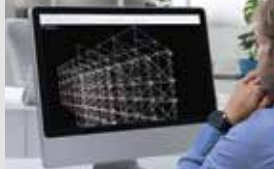
84-F-515100

### Technical information

Wood type:	Spruce, Fir
Coating:	Three-layer board, glued crosswise Full surface calibr. sanded. Cover/centre plies Sealed, glued centre layer, thus stable longitudinal edges Glued top/middle layer, no glue joints Resistant melamine resin coating Water-based edge varnish, PU sealing red on request.
Thickness:	27 mm
Specific weight:	ca. 12,5 kg/m <sup>2</sup>

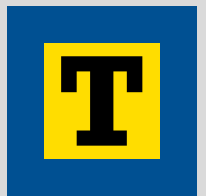
# MATO Scaffoldings

Efficiency. Flexibility. Safety.

<p><b>Facade scaffoldings</b></p>	<p><b>MATO</b> 1 <b>MATO</b> 2</p>	<p><b>MATO</b> 53 CK compatible with your existing scaffolding <b>MATO</b> 54 Lay <b>MATO</b> 62 Ple <b>MATO</b> 65 Hün</p>	
<p><b>All-in-one scaffolding system</b></p>	<p><b>MATO</b> 3 <b>MATO</b> 8</p>	<p><b>MATO</b> Connect Road Bridge <b>MATO</b> Connect Bridge Beam</p>	
<p><b>Roof systems</b></p>	<p><b>MATO</b> Pro</p>	<p><b>MATO</b> Pro Anti-fall protection <b>MATO</b> Pro Temporary roof systems <b>MATO</b> Pro Walkway roofing</p>	
<p><b>Mobile scaffoldings</b></p>	<p><b>MATO</b> R</p>	<p><b>MATO</b> R Profi <b>MATO</b> R Pro <b>MATO</b> R Eco <b>MATO</b> R One man tower</p>	
<p><b>Work scaffolding on construction sites</b></p>	<p><b>MATO</b> T</p>	<p><b>MATO</b> T Stair towers <b>MATO</b> T Cable bridges <b>MATO</b> T Ramps for site access <b>MATO</b> T Scaffoldings for Concreting and Reinforcement</p>	
<p><b>Events</b></p>	<p><b>MATO</b> E</p>	<p><b>MATO</b> E Stages &amp; Tribunes <b>MATO</b> E Event-Service/Support <b>MATO</b> E R &amp; D</p>	
<p><b>Accessories</b></p>	<p><b>MATO</b> Z</p>	<p><b>MATO</b> Z Scaffolding accessories <b>MATO</b> S Safety accessories <b>MATO</b> B Construction devices <b>Tobler</b> Logistics</p>	
<p><b>Storage solutions</b></p>	<p><b>Tobler</b> Storage</p>	<p><b>Tobler</b> Cantilever Shelving <b>Tobler</b> Pallet Shelving <b>Tobler</b> Floor Special Shelving <b>Tobler</b> Box Lattice and steel boxes <b>Tobler</b> Rack Pallets and Racks</p>	
<p><b>Services</b></p>	<p><b>Tobler</b> Services</p>	<p>R &amp; D/Static calculations / CAD / Trainings / Customer solutions / Customized Solutions / Finance and Consulting Second hand/Trade-in old for new</p>	

# Tobler Formwork

Enjoying industrialized construction.



<p><b>Wall formwork</b></p>	<p><b>Tobler</b> Wall</p>	<p><b>Tobler</b> Top  <b>Tobler</b> Manu                  Master Pro (Ringer)                  Master Steel/Alu (Ringer)                  System 2000 Steel/Alu (Ringer)</p>	
<p><b>Slab formwork</b></p>	<p><b>Tobler</b> Sky</p>	<p><b>Tobler</b> Deck  <b>Tobler</b> Desk Slab table /Kart  <b>Tobler</b> Flex                  AluDEK (Ringer)                  DEKplus Slab table (Ringer)</p>	
<p><b>Individual formwork</b></p>	<p><b>Tobler</b> I</p>	<p><b>Tobler</b> Rex Girder wall formwork  <b>Tobler</b> Varia Circular formwork  <b>Tobler</b> Project Special formwork</p>	
<p><b>Shoring systems</b></p>	<p><b>Tobler</b> H</p>	<p><b>Tobler</b> Tower Heavy-Duty Props  <b>Tobler</b> T22 Load-bearing system</p>	
<p><b>Work scaffolding on construction sites</b></p>	<p><b>MATO</b> T</p>	<p><b>MATO</b> T Reinforcement scaffolding  <b>MATO</b> T Ramps for site access,  <b>MATO</b> T Towers / Cable bridges  <b>MATO</b> R Pro / Eco  <b>MATO</b> R One Man Tower</p>	
<p><b>Engineering</b></p>	<p><b>Tobler</b> Kit</p>	<p><b>MATO</b> 3  <b>MATO</b> 8  <b>MATO</b> Connect Road Bridge  <b>MATO</b> Connect Bridge Beam</p>	
<p><b>Accessories</b></p>	<p><b>Tobler</b> Accessories</p>	<p><b>Tobler</b> Formwork accessories  <b>Tobler</b> Construction devices  <b>Tobler</b> Logistics  <b>Tobler</b> Storage solutions</p>	
<p><b>Services</b></p>	<p><b>Tobler</b> Services</p>	<p><b>Tobler</b> Rent  <b>Tobler</b> ForU  <b>Tobler</b> Care  <b>Tobler</b> Revalued</p>	
<p><b>Digital services</b></p>	<p><b>my Tobler</b></p>	<p><b>Tobler</b> Formwork planner  <b>Tobler</b> Engineering</p>	



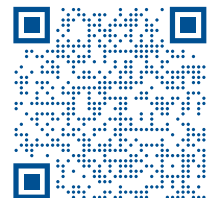
## At home in Switzerland – anchored in Europe

We are constantly driving forward the internationalisation of our product range.



**Order & advice**  
[sales@tobler-ag.com](mailto:sales@tobler-ag.com)  
+41 71 886 06 37

**Online order**



« Our services include the sale and rental of premium, efficient formwork systems. Ask us about our attractive trade-in offer! »



**Martin Tobler**  
CEO

